

VCI-AR0821-CB

- onsemi AR0821 8MP Rolling Shutter Sensor
- 4K HDR Imaging Capabilities
- Designed for Low Light Applications
- C-Mount for Interchangeable Lenses
- UVC USB Type-C 5 Gbps Connector
- Plug & Play with Windows & Linux OS
- Comes with VizionViewer™ SDK



Specifications

Camera Information

CMOS Sensor	onsemi AR0821
Active Pixels	3848 (H) x 2168 (V) = 8MP
Pixel Size	2.1 μm x 2.1 μm
Optical Format	1/2" (Diagonal 9.25 mm)
Shutter Type	Rolling Shutter
Chromaticity	Color
Illuminated type	Back Side Illuminated (BSI)
Maximum Frame Rate (MJPEG)	3840 x 2160 @ 30 fps 2560 x 1440 @ 60 fps 1920 x 1080 @ 60 fps 1280 x 720 @ 60 fps 640 x 480 @ 60 fps
Maximum Frame Rate (UYVY)	3840 x 2160 @ 15 fps 2560 x 1440 @ 30 fps 1920 x 1080 @ 60 fps 1280 x 720 @ 60 fps 640 x 480 @ 60 fps
Maximum S/N Ratio	41.8 dB
HDR Support	Yes
Output Format	UYVY MJPEG (JPG)

Camera Interface

Connector	USB Type-C 5 Gbps
-----------	-------------------

Power

Supply Voltage	5V \pm 5%
Power Consumption	UYVY 3840 x 2160 @ 15 fps \leq 1.6W
Standby Power	\leq 0.1W Standby

Software Support

Operation Systems	UVC Plug-and-play Windows 10/11 Linux Yocto
SDK	VizionViewer™ SDK

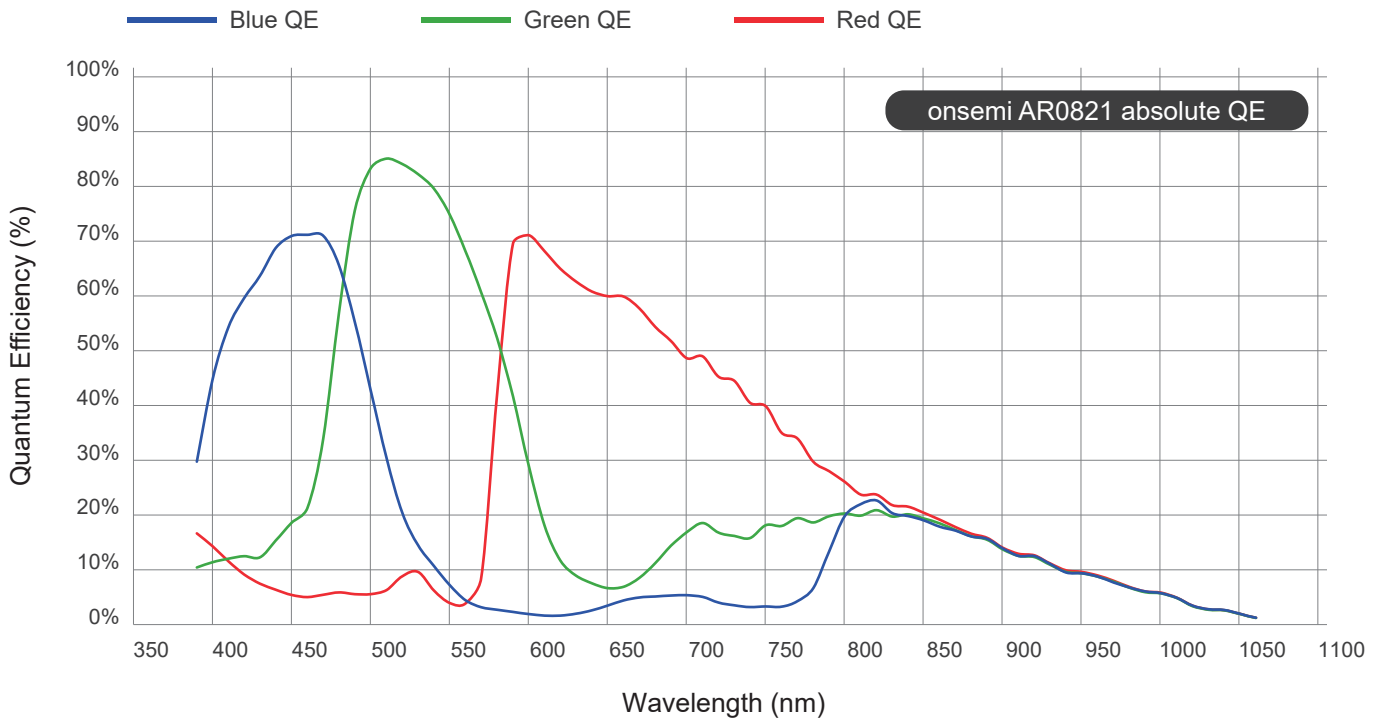
Environmental and Mechanical

Dimensions	29.5(W) x 29.5(H) x 33.9(D) mm
Weight	39 grams
Relative Humidity	10 to 90 %
MTBF	50,000 Hours
Shock	15G half-sine 11 ms duration
Operating Temperature	-30°C to +70°C
Vibration	1 Grms random 5-500Hz hr/axis

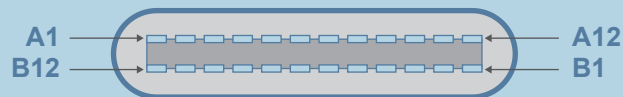
Certification and Compliance

Certification	Compliant with CE / FCC / RoHS / REACH directives
---------------	---

Spectral Characteristics

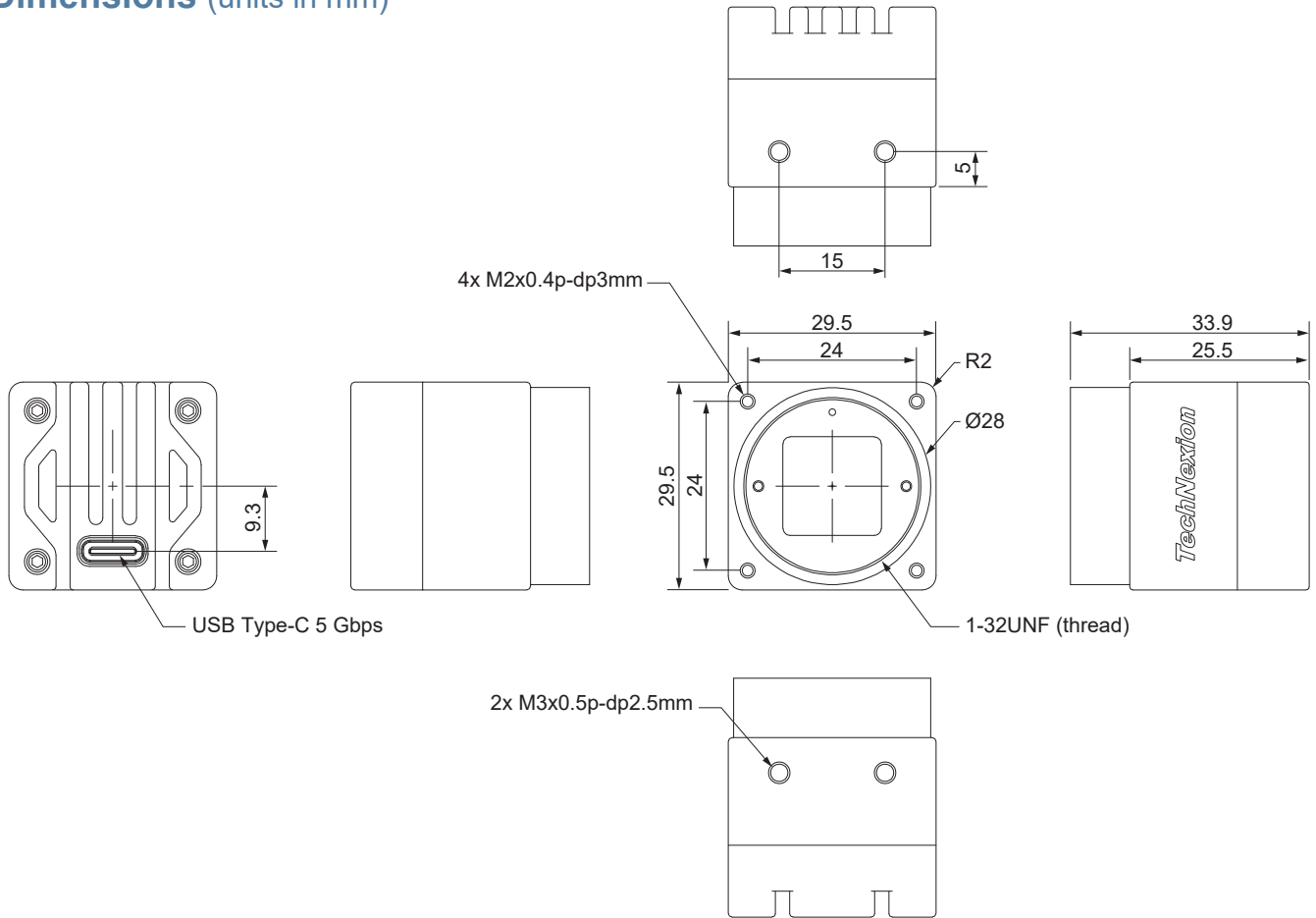


Connector Pin Definition

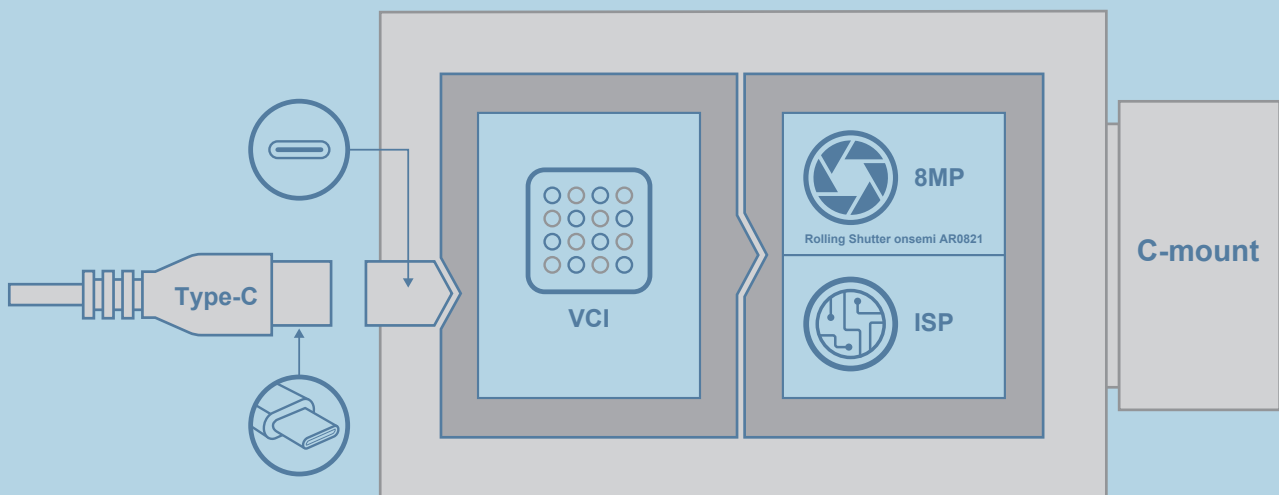


A1	GND	B12	GND
A2	TXP1	B11	RXP1
A3	TXN1	B10	RXN1
A4	VBUS1	B9	VBUS3
A5	CC1	B8	SBU2
A6	DP1	B7	DN2
A7	DN1	B6	DP2
A8	SBU1	B5	CC2
A9	VBUS2	B4	VBUS4
A10	RXN2	B3	TXN2
A11	RXP2	B2	TXP2
A12	GND	B1	GND

Dimensions (units in mm)



Block Diagram



Order Information

VCI-AR0821-x-CB-xx

Part Number Rules

Option	Code	Description
Chromaticity	C	Color
Filter	-	-
	IR	IR Cut Filter 650nm

For further customization or questions about orders, contact your TechNexion sales representative.

Optional Accessories

VCI-MOUNT-BRACKET-A

An easy to attach A-Mount bracket for TechNexion USB3 cameras.



VCI-MOUNT-BRACKET-A



VCI-MOUNT-BRACKET-A on tripod
(tripod not included)

Custom Lens Solutions



Our C-mount cameras can be paired with a variety of off-the-shelf lenses. Customers are welcome to choose their own, or alternatively our engineers are on standby to assist with selecting the right camera lens for different applications.

For more information. Please contact your TechNexion sales representative to start a discussion on how we can help you.