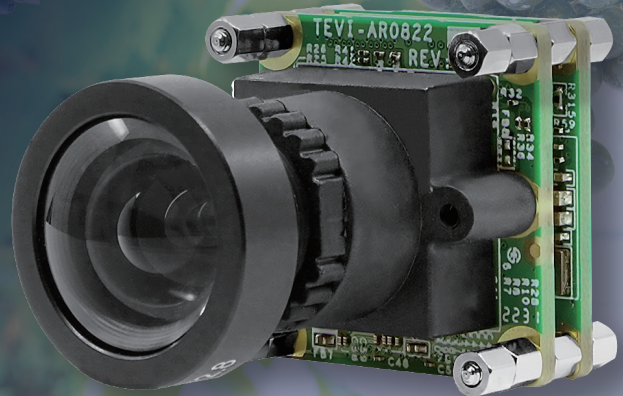


UVCI-AR0822

- onsemi AR0822 8MP Rolling Shutter Sensor
- 4K HDR Imaging Capabilities
- Near Infra-Red Enhancement for Outdoor Applications
- Designed for Low Light Applications
- S-Mount for Interchangeable Lenses
- UVC USB Type-C 5 Gbps Connector
- Plug & Play with Windows & Linux OS
- Comes with VizionViewer™ SDK



Specifications

Camera Information

CMOS Sensor	onsemi AR0822
Active Pixels	3840 (H) x 2160 (V) = 8MP
Pixel Size	2.0 μm x 2.0 μm
Optical Format	1/2" (Diagonal 8.81 mm)
Shutter Type	Rolling Shutter
Chromaticity	Mono / Color
Illuminated type	Back Side Illuminated (BSI)
Maximum Frame Rate (MJPEG)	3840 x 2160 @ 30 fps 2560 x 1440 @ 40 fps 1920 x 1080 @ 40 fps 1280 x 720 @ 40 fps 640 x 480 @ 51 fps
Maximum Frame Rate (UYVY)	3840 x 2160 @ 15 fps 2560 x 1440 @ 30 fps 1920 x 1080 @ 30 fps 1280 x 720 @ 30 fps 640 x 480 @ 30 fps
Maximum S/N Ratio	40.5 dB
HDR Support	Yes
Output Format	UYVY MJPEG (JPG)

Camera Interface

Connector	USB Type-C 5 Gbps
-----------	-------------------

Power

Supply Voltage	5V \pm 5%
Power Consumption	UYVY 3840 x 2160 @ 15 fps \leq 1.3W
Standby Power	\leq 0.1W Standby

Software Support

Operation Systems	UVC Plug-and-play Windows 10/11 Linux Yocto
SDK	VizionViewer™ SDK

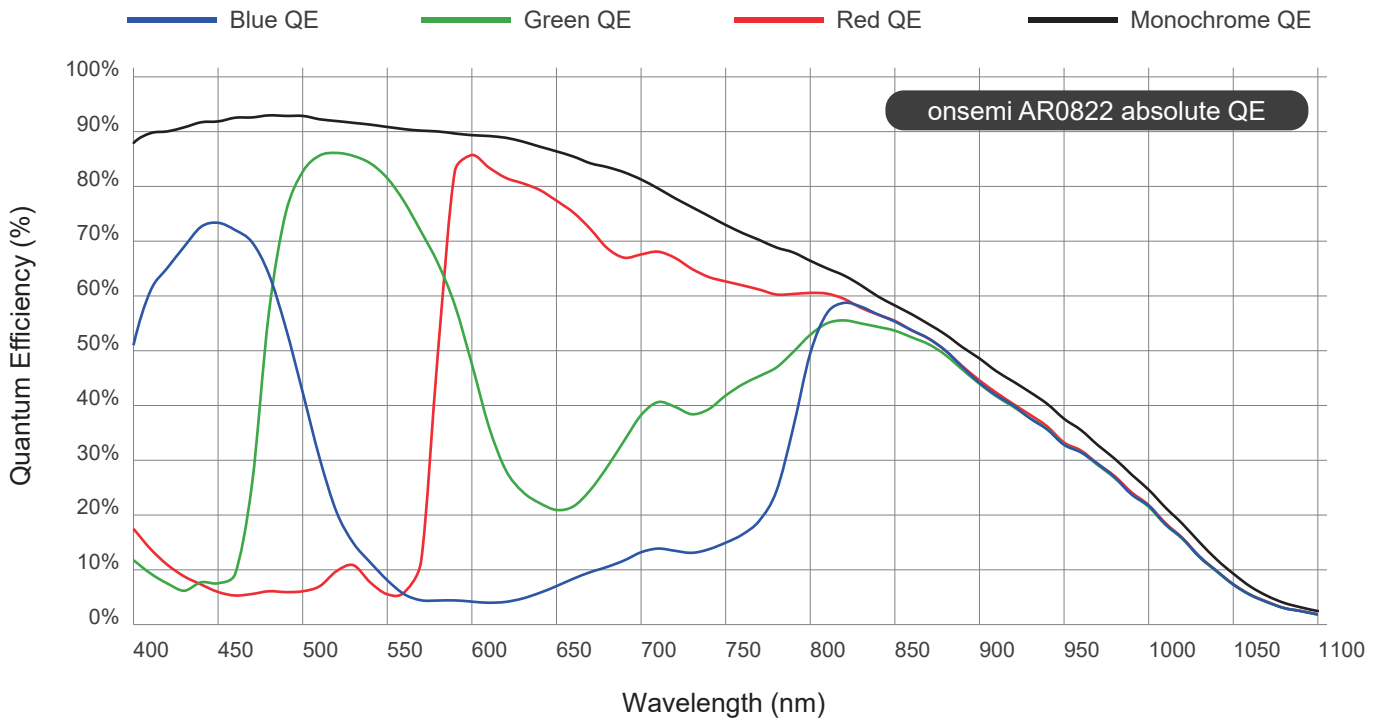
Environmental and Mechanical

Dimensions	24.5(W) x 24.5(H) x 25.6(D) mm
Weight	23 grams
Operating Temperature	-30°C to +70°C

Certification and Compliance

Certification	Compliant with CE / FCC / RoHS / REACH directives
---------------	---

Spectral Characteristics

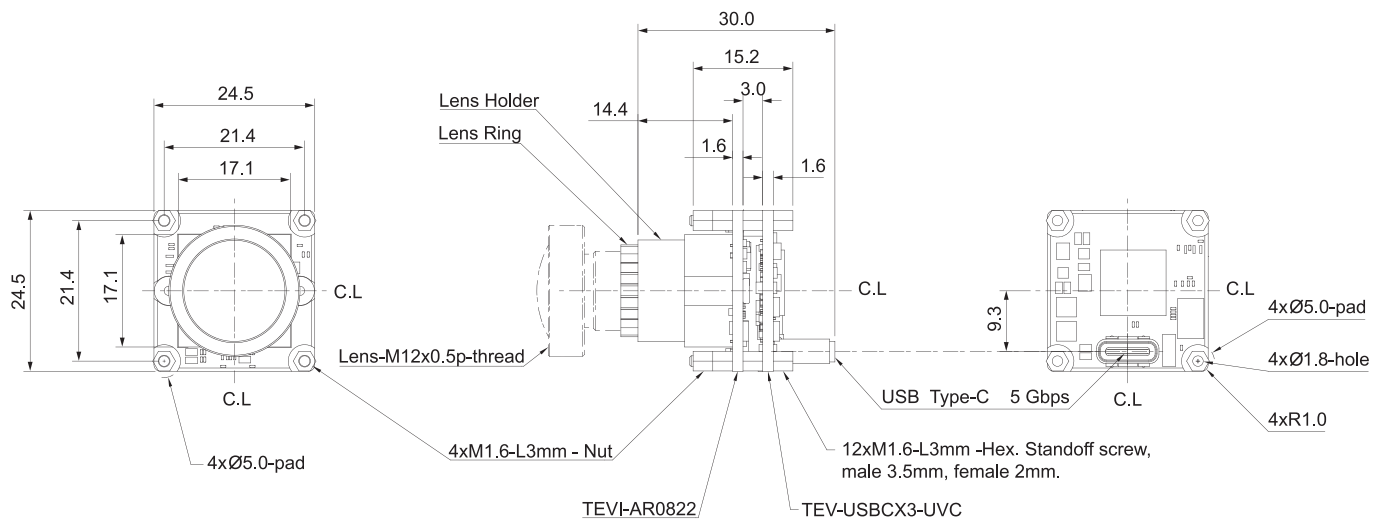


Connector Pin Definition

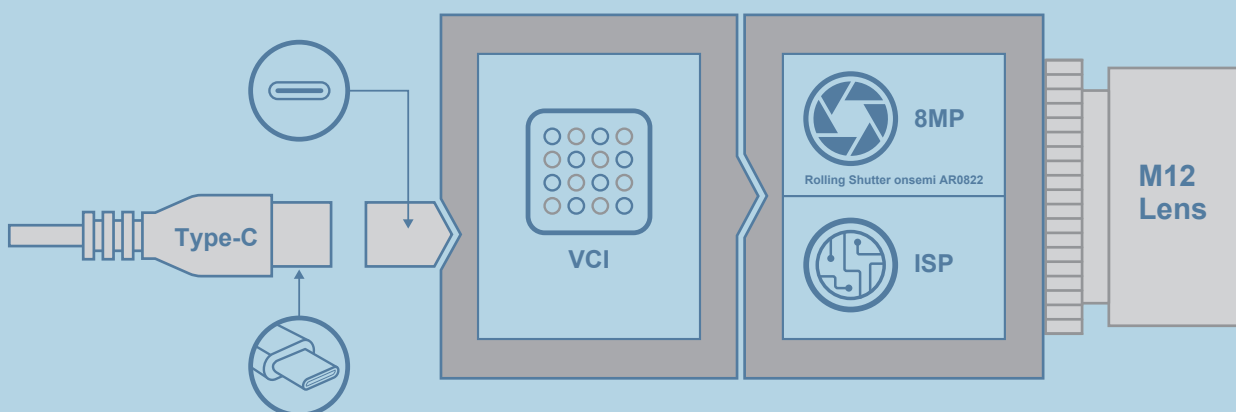


A1	GND	B12	GND
A2	TXP1	B11	RXP1
A3	TXN1	B10	RXN1
A4	VBUS1	B9	VBUS3
A5	CC1	B8	SBU2
A6	DP1	B7	DN2
A7	DN1	B6	DP2
A8	SBU1	B5	CC2
A9	VBUS2	B4	VBUS4
A10	RXN2	B3	TXN2
A11	RXP2	B2	TXP2
A12	GND	B1	GND

Dimensions (units in mm)



Block Diagram



Lenses

Lens Information

Focus Type	Fixed Focus
Focal Length	6 mm
Aperture	F2.8
Lens D-FOV	72.0°
Lens H-FOV	61.0°
Lens V-FOV	47.0°
Module D-FOV	72.0° ± 5%
Module H-FOV	64.7° ± 5%
Module V-FOV	39.0° ± 5%
TTL	28.6 mm
BFL	8.8 mm
MOD	0.1 m
Distortion	<0.5%
IR-Filter	650 nm
Lens Operating Temperature	- 10°C to +50°C

Order Information

UVCI-AR0822-x-Sxx-xx

Part Number Rules

Option	Code	Description
Chromaticity	C	Color
	M	Monochrome
Lens	S72	S-Mount Module D-FOV 72°
Filter	-	-
	IR	IR Cut Filter 650nm

For further customization or questions about orders, contact your TechNexion sales representative.

Optional Accessories

TEVI-MOUNT-BRACKET-A

An easy to attach A-Mount bracket for TechNexion TEVI cameras.



TEVI-MOUNT-BRACKET-A



TEVI-MOUNT-BRACKET-A on tripod
(tripod not included)