

ECX700-AL

Intel Atom® Processor E3900 Series
Ruggedized Fanless Embedded System



KEY FEATURES



Ultra Rugged Design

IP67/ IP69K, comply with military criteria of vibration and shock test



Wide Temperature

Operating temperature: -40° to 70° C



Wide Voltage

Power range: 9~36V



On Board RAM/Storage

RAM: 4GB DDR3L Memory (Default)
Storage: 32GB/64GB eMMC (Default)



Wireless

Optional WiFi, LTE

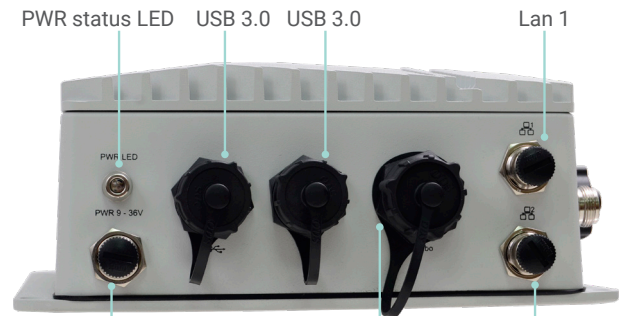


PANEL



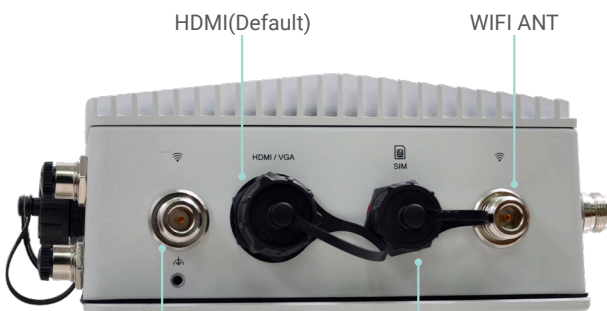
LTE ANT SmartVent LTE ANT

Top View



PWR status LED USB 3.0 USB 3.0 Lan 1
PWR LED PWR 9~36V Combo (COM 1/2, CAN 1/2) Lan 2

Bottom View



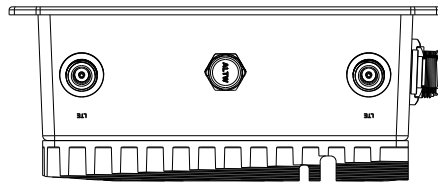
HDMI(Default) WIFI ANT
WIFI ANT External SIM slot

Right View

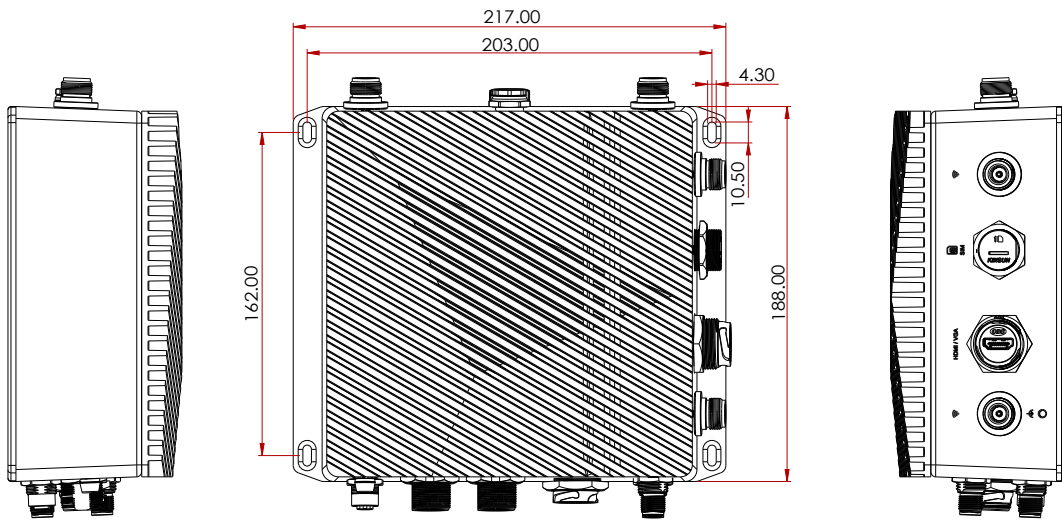


Stand View

DIMENSIONS

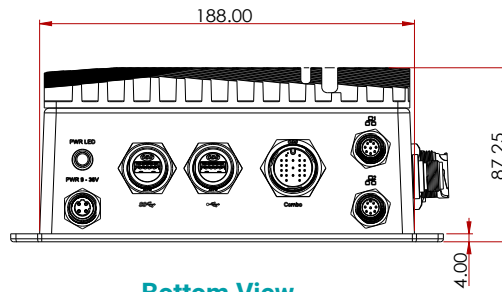


Top View



Left View

Right View



Bottom View

SPECIFICATION

SYSTEM	Processor	Intel Atom® Processor E3900 Series, BGA 1296 Intel Atom® x7-E3950 Processor, Quad Core, 2M Cache, 1.6GHz (2.0GHz), 12W Intel Atom® x5-E3940 Processor, Quad Core, 2M Cache, 1.6GHz (1.8GHz), 9.5W Intel Atom® x5-E3930 Processor, Dual Core, 2M Cache, 1.3GHz (1.8GHz), 6W	
	Memory	4GB memory onboard (2GB/8GB by project support) DDR3L memory onboard + 1 SODIMM up to 8GB	
	BIOS	AMI SPI 128Mbit (supports UEFI/Legacy mode and Security Boot (optional))	
GRAPHICS	Controller	Intel® HD Graphics	
	Feature	OpenGL 4.2, Direct X 11.1, OpenCL 1.2, OGL ES 3.0 HW Decode: H.264, MPEG2, VC1, VP8, H.265, MPEG4, MVC, VP9, WMV9, JPEG/MJPEG HW Encode: H.264, MPEG4, VP8, H.265, MVC	
	Display	1 x HDMI	HDMI: resolution up to 3840x2160@30Hz
STORAGE	eMMC	32GB/64GB Available(8GB/16GB by project support)	
EXPANSION	Interface	1 x Full-size Mini PCIe for 4G LTE module 1 x Full-size Mini PCIe for Canbus 1 x M.2 2230 (USB2.0/PCIe) for WiFi module	
ETHERNET	Controller	2 x Intel® I210AT PCIe (10/100/1000Mbps)	
LED	Indicators	1 x Power Status LED	
BOTTOM I/O	USB	2 x USB 3.0	
	LAN	2 x GbE	
	Combo	2 x RS232 and 2 x Can bus protocol	
	Power	1 x 9~36V DC-IN	
TOP I/O	Antenna Hole	2 x Antenna (LTE)	
	Vent	1 x Vent	
FRONT I/O	Display	1 x HDMI	
	SIM slot	1 x SIM card slot	
	Antenna Hole	2 x Antenna (WiFi)	
WATCHDOG TIMER	Output & Interval	System Reset, Programmable via Software from 1 to 255 Seconds	
POWER	Type	DC-in 9~36V	
	Connector	M12 D-code	
OS SUPPORT	Microsoft	Windows 10 IoT Enterprise 64-bit	
	Linux	Linux	
MECHANISM	Mounting	Wall mount	
	Dimensions (W x H x D)	217 x 188 x 87 mm (with wall-mount bracket)	
	Weight	4.5 kg	
ENVIRONMENT	Operating Temperature	-40 to 70°C (E3950,E3940, E3930 only)	
	Storage Temperature	-40 to 85°C	
	Relative Humidity	5 to 95% RH (non-condensing)	
STANDARDS AND CERTIFICATIONS	Construction	IP67/ IP69K enclosure	
	Shock	Operation shock test: Half Sine Wave 15G, 11ms, 3 Shock Per Axis	
	Vibration	Operation Vibration test: MIL-STD-810G 514.6C-2, Figure 514.6C-2	
	Certifications	CE, FCC class A, ROHS	

ORDERING INFORMATION

Model Name	Part Number	Processor	Memory down	eMMC	USB 3.0	USB 2.0	LAN	HDMI	2xCOM+2CAN bus	WIFI+BT	LTE	External Cable list		
												IP67 M12 4pin DC cable L=100mm	IP67 COM+CAN cable L=300mm	M12 Lan cable L=300mm
ECX700-AL	750-ECX700-100G	x7-E3950	4GB	64GB	1	1	2	1	Y	Y	Y	1	1	2
ECX700-AL	750-ECX700-200G	x5-E3930	4GB	32GB	2	-	2	1	Y	-	-	1	1	2
ECX700-AL	750-ECX700-300G	x5-E3930	4GB	32GB	1	-	2	1	-	Y	Y	1	-	2
ECX700-AL	750-ECX700-400G	x5-E3940	4GB	64GB	2	-	2	1	-	Y	Y	1	-	2
ECX700-AL	750-ECX700-500G	x7-E3950	4GB	64GB	1	1	-	1	Y	-	Y	1	1	-
ECX700-AL	750-ECX700-600G	x7-E3950	4GB	64GB	1	1	-	1	Y	Y	-	1	1	-

OPTIONAL ITEMS

Optional Items	Part Number	Description
External USB cable	A81-001129-068G	IP67 USB Plug to USB Plug, 300mm
External HDMI cable	A81-026004-068G	IP67 HDMI Plug to USB Plug, 300mm