

DLAP-211-Orin Series

Ultra-Compact, Fanless, Edge AI Platform for Diverse AI Applications

Features

- Embedded with NVIDIA® Jetson Orin NX/Nano™ module, delivering up to 100 TOPS
- Support NVIDIA Super Mode to increase AI TOPS by up to 1.7X, memory bandwidth by up to 1.5X, and Gen AI model performance by up to 2X
- Extremely compact at 148mm x 120mm x 52mm with a fanless design
- Extended operating temperature range from -20°C to 70°C
- Versatile I/O ports with optional FM board extension
- Ideal for diverse AI applications like Smart City, Retail, Manufacturing, and more
- Development kit (without chassis SKU) is available for purchase



Ordering Information

PN	Model Name	NVIDIA Module	NVIDIA Module Memory	NVMe	Expand IO
93-45103-0420	DLAP-211-Orin NX 16GB	Orin NX	16GB	128GB	N/A
93-45103-0320	DLAP-211-Orin NX 8GB	Orin NX	8GB	128GB	N/A
93-45103-1310	DLAP-211-Orin Nano 8GB	Orin Nano	8GB	128GB	N/A
93-45103-1210	DLAP-211-Orin Nano 4GB	Orin Nano	4GB	128GB	N/A
93-45103-1C10	DLAP-211-Orin Nano 8GB Super	Orin Nano	8GB	128GB	N/A
93-45103-1B10	DLAP-211-Orin Nano 4GB Super	Orin Nano	4GB	128GB	N/A
93-45103-4220	DLAP-211-Orin NXS 16GB	Orin NX	16GB	128GB	YES
93-45103-4410	DLAP-211-Orin NXS 8GB	Orin NX	8GB	128GB	YES
93-45103-5210	DLAP-211-Orin NanoS 8GB	Orin Nano	8GB	128GB	YES

* The operating system is installed on NVMe 128GB. If you need to change the NVMe capacity, please consult the service window

Packing list

PN	Description	QTY	Note
93-45103-XXXX	DLAP-211	1	N/A
31-62157-1010-A0	84W, Adapter, 12V/7A, DC Jack Ø2.5	1	For Orin NX16GB, Orin Nano Super
31-62156-1010-A0	60W, Adapter, 12V/5A, DC Jack Ø2.5	1	For Orin Nano, Orin NX 8GB
33-01200-0050	Screw M2.5, P-head, L5	3	N/A
34-34334-0000-A0	VESA bracket	1	N/A
33-04302-0050	Screw M4, I-head, L5.0	4	N/A
33-04603-0080	Screw M4, HW-head, L8.0	4	N/A
47-90004-0010	Technical service card	1	N/A
50-40375-9000	Template A of both CN & TW RoHS Declarat	1	N/A

Optional Accessories

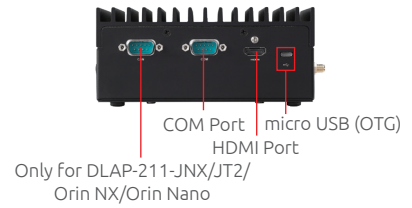
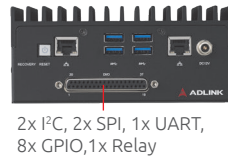
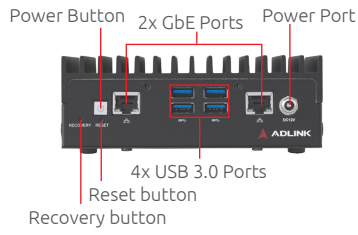
PN	Description	Note
91-49074-000E	Wifi Kit, M2-R8852BE w/ mPCIe converter	N/A
91-95301-0010	DIN RAIL, DLAP-211 SERIES DIN RAIL set	N/A
95-36400-4E10	M2ASDED4EDE-128GT0-N	NVMe
95-36400-5E10	ASDED4EDE-256GT0-N	NVMe
95-36400-6E10	ASDED4EDE-512GT0-N	NVMe
95-34400-7400	ASDSM4SHE-1TBT0	SATA

Specifications

Model	Orin NX 8GB	Orin NX 16GB	Orin Nano 4GB	Orin Nano 4GB (Super)	Orin Nano 8GB	Orin Nano 8GB (Super)
AI Performance	70 TOPS	100 TOPS	20 TOPS	34 TOPS	40 TOPS	67 TOPS
System						
GPU	1024-core NVIDIA Ampere GPU with 32 Tensor Cores		512-core NVIDIA Ampere architecture GPU with 16 Tensor Cores		1024-core NVIDIA Ampere architecture GPU with 32 Tensor Cores	
CPU	6-core Arm® Cortex®-A78AE v8.2 64-bit CPU 1.5MB L2 + 4MB L3	8-core Arm® Cortex®-A78AE v8.2 64-bit CPU 2MB L2 + 4MB L3	6-core Arm® Cortex®-A78AE v8.2 64-bit CPU 1.5MB L2 + 4MB L3			
RAM	8G	16G	4G		8 G	
Storage	NVMe 128GB					
OS	Linux® Ubuntu					
Front I/O Interfaces						
Button	1x power, 1x reset, 1x recovery					
HDMI	1x lockable					
USB	4x USB 3.0 Type-A					
Ethernet	2x 10/100/1000Mbps Ethernet					
For S models Only	2x I2-C, 2x SPI, 1x UART, 8x GPIO, 1x Relay through 1x 37pin D sub connector					
Back I/O Interfaces						
USB	1x USB 2.0 OTG					
Serial Port	1x COM RS-232/RS-422/RS-485					
CAN Bus	1x 2.0b					
Extension Slots						
Mini PCIe	1x PCIe mini card slot					
Power Supply						
DC Input	12V					
AC Input	60W , OP Temp Max: 45°C	84W ,OP Temp Max: 55°C	60W , OP Temp Max: 45°C 84W ,OP Temp Max: 55°C (Orin Nano Super)			
Mechanical						
Dimensions (W x D x H)	148mm x 120mm x 52mm (DLAP-211-Orin NX/Orin Nano) 148mm x 120mm x 64mm (DLAP-211-Orin NXS/Orin NanoS)					
Weight	Gross 1.7kg/ Net 1.01kg (DLAP-211-Orin NX/Orin Nano) Gross 1.85kg/ Net 1.16kg (DLAP-211-Orin NXS/Orin NanoS)					
Mounting	VESA, DIN rail (optional)					
SMA Antenna Connector	4					
Environmental						
Operating Temperature	-20°C to 70°C with 0.6m/s airflow, at 10W -20°C to 60°C with 0.6m/s airflow, at 15W -20°C to 50°C with 0.6m/s airflow, at 25W -20°C to 40°C with 0.6m/s airflow, at MAXN, Need to use industrial grade parts (which Tamb spec is 85°C) for mPCIe interface parts.					
Operating Humidity	~95% @40°C (non-condensing, optional with fanless solution) without adapter					
Storage Temperature	-40°C to 85°C					
Vibration	Operating 5Grms, 5-500Hz, 3 axes w/M.2 SSD					
Shock	Operating 100G, half sine 11ms duration w/ SD, M.2 SSD					
ESD	Contact ± 4kV, Air ± 8kV					
Regularity	CE & FCC class B, (EN61000-6-4/-6-2), CE-LVD & UL by CB, FCCID					
F/W Support						
WDT	WDT supported					

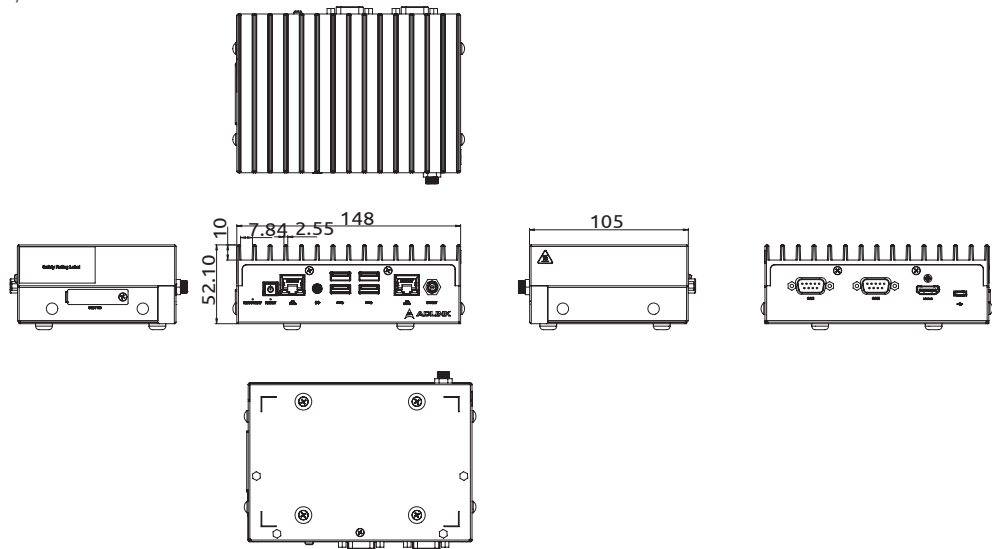
I/O View

Only Orin NXS/Orin NanoS



Product Dimensions and Illustration

DLAP-211-Orin NX/Nano



DLAP-211-Orin NXS/NanoS

