

C114

Freescale™ QorIQ™ T1/T2 Series 6U VME SBC



Embedded Computing
without Compromise

IMAGE NOT AVAILABLE

- Rugged 6U VME Single-Slot SBC
- Compatible Upgrade for Aitech C102, C106, and C108 SBCs
- Freescale T1/T2 Series QorIQ SoC
 - ▶ T2081 (4 x e6500 Dual-Threaded Cores w/Altivec)
 - ▶ T1042 (4 x e5500 Cores)
- Secure Boot and Trust Architecture 2.0
- 4 GB DDR3L with ECC
- 256 MB NOR Flash
- Up to 64 GB NAND Flash
- 512 kB NVRAM (MRAM)
- Versatile Board I/O
 - ▶ USB
 - ▶ GbE
 - ▶ Discrete
 - ▶ CANbus
 - ▶ Serial
 - ▶ High-Speed Serial
 - ▶ MIL-STD-1553B
 - ▶ SATA
- One PMC Slot + One PMC/XMC Slot
- WWDT, ETR, RTC, Temp. Sensors
- VxWorks®, Linux®, INTEGRITY® Support
- Conduction and Air-Cooled Versions
- Vibration and Shock Resistant



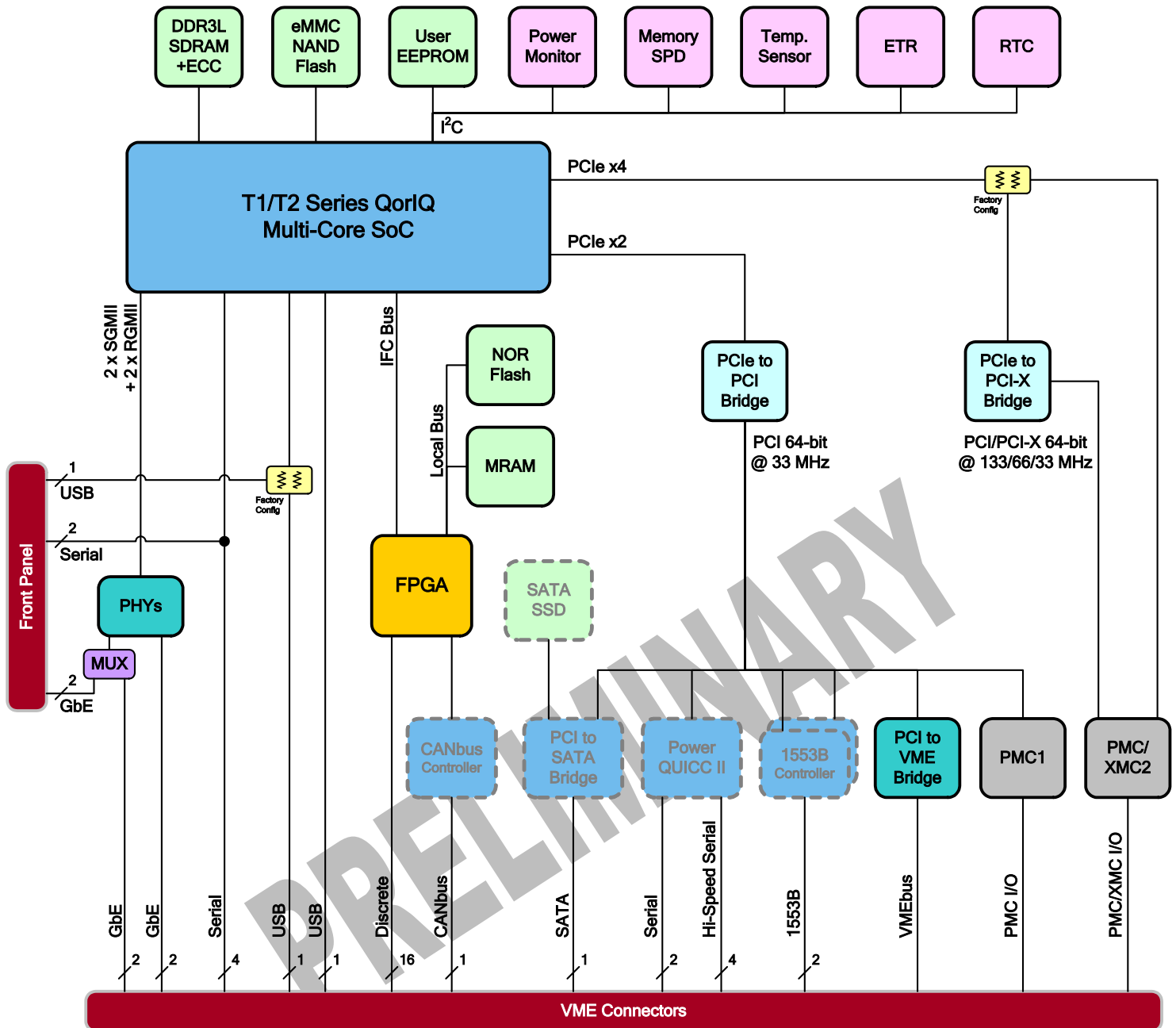
www.rugged.com

C114

Freescale™ QorIQ™ T1/T2 Series 6U VME SBC



Embedded Computing
without Compromise



C114

Freescale™ QorIQ™ T1/T2 Series 6U VME SBC



Embedded Computing
without Compromise

I/O

USB 2.0	2 ports
Gigabit Ethernet (1000Base-T)	Up to 4 ports
High Speed Serial Ports Multi-protocol synchronous/asynchronous ports, software configurable as RS-232/422/485	Up to 4 ports (optional)
Standard Serial Ports Asynchronous UARTs, software configurable as RS-232/422	Up to 6 ports
MIL-STD-1553B BC or Multi RT operation with Concurrent Bus Monitor Controllers support 66MHz operation & DMA engine	Up to 2 ports (optional)
Discrete I/O Lines Individually software configurable as input (with optional interrupts) or output, and as SE (1 line per channel) or DIFF RS-422 (2 lines per channel)	16 lines
CANbus	Up to 1 port (optional)
SATA	Up to 1 port (optional)

Power

CPU Option	C114 Power (Typical)
T1042	18 W
T2081	26 W

PRELIMINARY

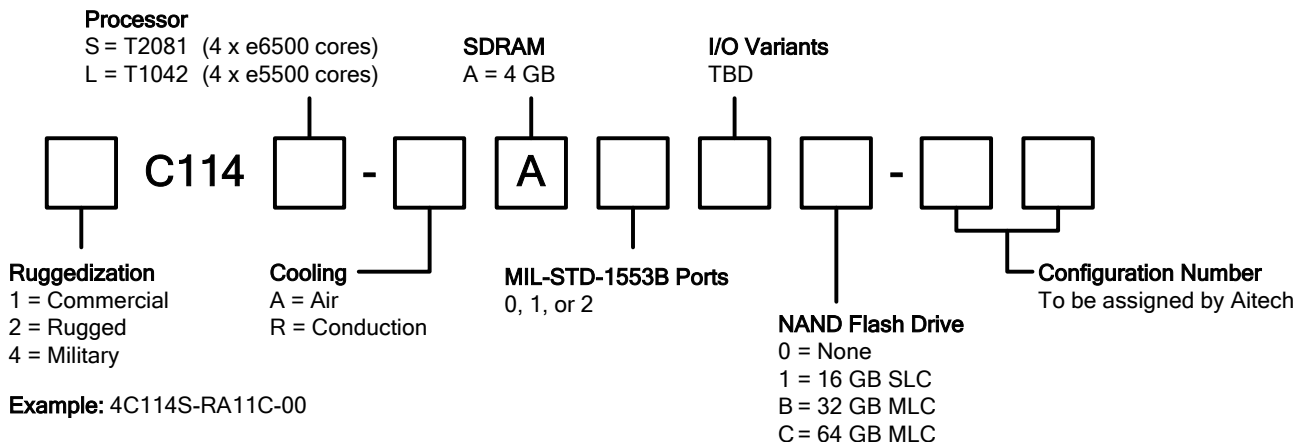
C114

Freescale™ QorIQ™ T1/T2 Series 6U VME SBC



Embedded Computing
without Compromise

Ordering Information



Contact Aitech

Contact your Aitech sales representative for additional product information, and for inquiries regarding customized configurations of the C114 and additional software support.

PRELIMINARY



Aitech Defense Systems, Inc.
Chatsworth, CA, USA
Toll Free: (888) Aitech-8 [248-3248]
Direct: +1 (818) 700-2000
Fax: +1 (818) 407-1502
Email: sales@rugged.com

www.rugged.com

Aitech Systems, Ltd.
Herzlia, Israel
Tel: +972 (9) 960-0600
Fax: +972 (9) 954-4315
Email: sales@rugged.com