

EC700-AL

Atom

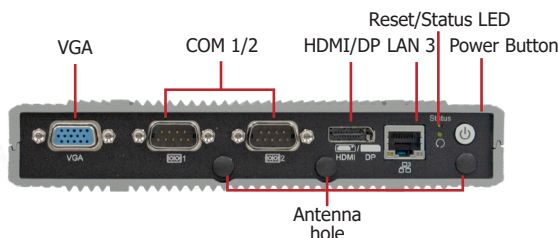


Features

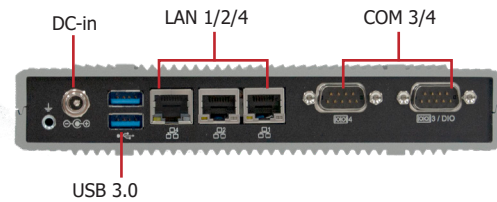
- Compact and Fanless Embedded System
- DDR3L-1866 memory onboard + 1 SODIMM up to 8GB
- Displays: 1 DP/HDMI Auto-detection + 1 DP or 1 VGA
- Supports 2 Mini PCIe and 1 M.2 slots
- Rich I/O ports: up to 4 Intel GbE, 4 COM, 4 USB
- Extended operating temperature: -40 to 70°C
- Windows 7/10/Linux Support
- Cableless use case capable



Panel



Front View (4Lan+2USB)



Rear View (4Lan+2USB)



Front View (2Lan+4USB)



Rear View (2Lan+4USB)

Dimensions

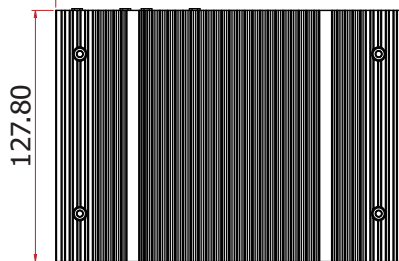


Rear View

180.00



Left View

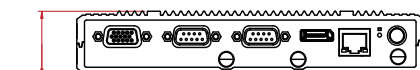


Top View

127.80



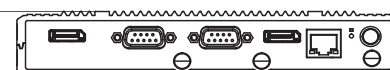
Right View



Front View (1VGA+1DP)

33.00

OR



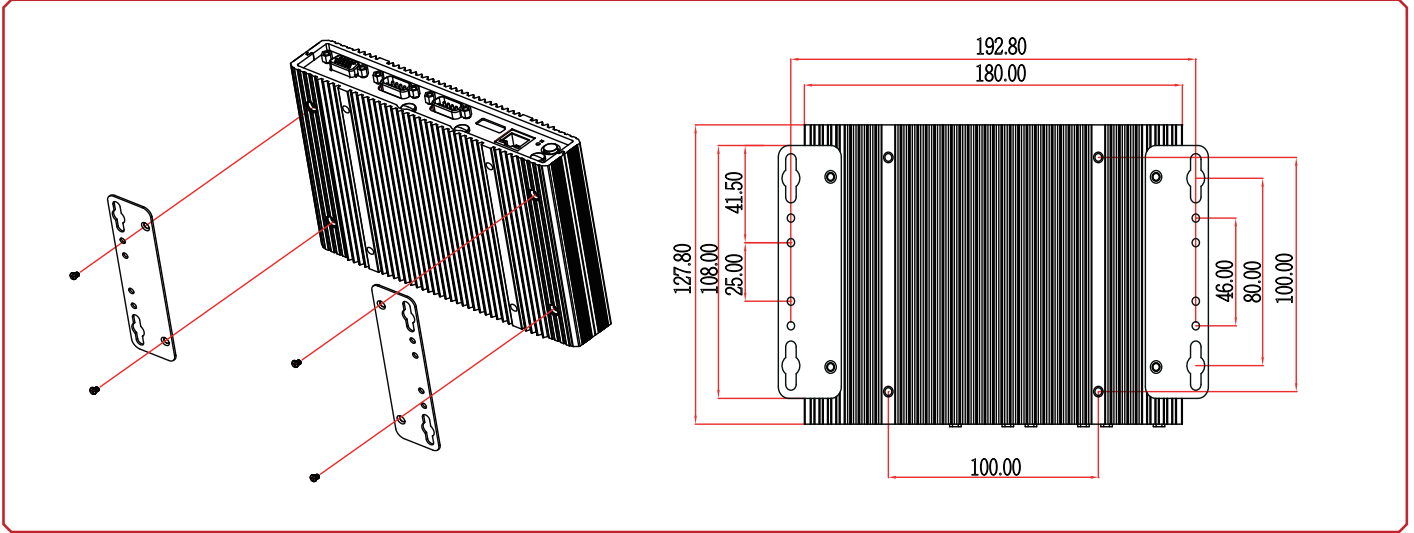
Front View (2DP)

33.00

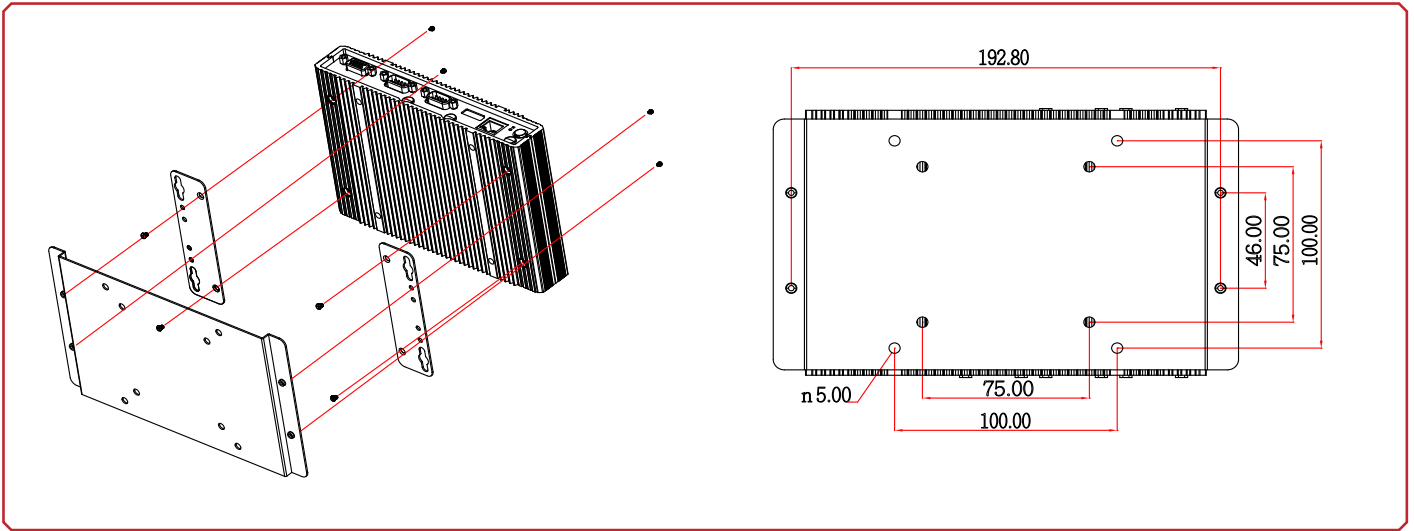
► Specifications

| | | |
|-------------------------------------|-------------------------------|---|
| SYSTEM | Processor | Intel Atom® Processor E3900 Series, BGA 1296 Intel Atom® x7-E3950 Processor, Quad Core, 2M Cache, 1.6GHz (2.0GHz), 12W Intel Atom® x5-E3940 Processor, Quad Core, 2M Cache, 1.6GHz (1.8GHz), 9W Intel Atom® x5-E3930 Processor, Dual Core, 2M Cache, 1.3GHz (1.8GHz), 6W Intel® Pentium® Processor N4200, Quad Core, 2M Cache, 1.1GHz (2.5GHz), 6W Intel® Celeron® Processor N3350, Dual Core, 2M Cache, 1.1GHz (2.4GHz), 6W Intel® Celeron® Processor J3355, Dual Core, 2M Cache, 2.0GHz (2.5GHz), 10W Intel® Celeron® Processor J3455, Quad Core, 2M Cache, 1.5GHz (2.3GHz), 10W |
| | Memory | 2GB/4GB/8GB Memory onboard One 204-pin SODIMM up to 8GB |
| | BIOS | Insyde SPI 128Mbit (supports UEFI/Legacy mode) |
| | GRAPHICS | Controller Intel® HD Graphics |
| GRAPHICS | Feature | OpenGL 4.2, Direct X 11.1, OpenCL 1.2, OGL ES 3.0 HW Decode: H.264, MPEG2, VC1, VP8, H.265, MPEG4, MVC, VP9, WMV9, JPEG/MJPEG HW Encode: H.264, MPEG4, VP8, H.265, MVC |
| | Display | 1 x DP/HDMI Auto-detection (DP support 4k/HDMI support 1080p) 1 x DP or 1 x VGA |
| | Dual Displays | DP/HDMI + VGA or DP/HDMI + DP |
| | STORAGE | Internal Support EMMC up to 8G/16GB/32GB/64GB (optional) Only EC700-AL-2LD / EC700-AL-3LD supports: 1 x 2.5" SATA 3.0 Drive Bay (support thickness 7mm HDD or SSD) |
| EXPANSION | Interface | 1 x Full-size mSATA (SATA/LPC) 1 x Full-size Mini PCIe (USB2.0/reset/nano-SIM) 1 x M.2 (2230 E Key) (PCIe/USB2.0) |
| AUDIO | Audio Codec | Realtek ALC262 |
| ETHERNET | Controller | EC700-AL-2L: 2 x Intel® I210IT PCIe (10/100/1000Mbps) EC700-AL-4L: 4 x Intel® I210IT PCIe (10/100/1000Mbps) |
| LED | Indicators | 1 x Power LED 1 x Status LED |
| FRONT I/O | Ethernet | EC700-AL-4L: 1 x GbE (RJ-45) |
| | Serial | 3 x RS-232/422/485 (DB-9) (8-bit DIO available upon request) |
| | Display | 1 x DP/HDMI combo |
| | Buttons | 1 x Power Button 1 x Reset Button |
| | Wi-Fi Antenna | 3 x Wi-Fi Antenna Hole |
| REAR I/O | Ethernet | EC700-AL-2L: 2 x GbE (RJ-45) EC700-AL-4L: 3 x GbE (RJ-45) |
| | Serial | 1 x RS-232/422/485 (DB-9) |
| | Display | 1 x DP or 1 x VGA |
| | USB | EC700-AL-2L: 4 x USB 3.0 (type A) EC700-AL-4L: 2 x USB 3.0 (type A) |
| | Audio | 1 x Mic-in 1 x Line-out |
| WATCHDOG TIMER | Output & Interval | System Reset, Programmable via Software from 1 to 255 Seconds |
| POWER | Type | Wide Range 9~36V |
| | Connector | DC Jack |
| OS SUPPORT (UEFI ONLY) | | Windows 10 IoT (64-bit) Windows 7 (32/64-bit) Project support Linux |
| MECHANISM | Construction | Aluminum + Metal |
| | Mounting | Wall/VESA/DIN Rail Mount (available upon request) |
| | Dimensions (W x H x D) | 180mm x 33mm x 121.2mm |
| | Weight | 700g |
| ENVIRONMENT | Operating Temperature | -20 to 60°C -40 to 70°C (E3930 only) |
| | Storage Temperature | -40 to 85°C |
| | Relative Humidity | 5 to 95% RH (non-condensing) |
| STANDARDS AND CERTIFICATIONS | Certification | CE, FCC class A |

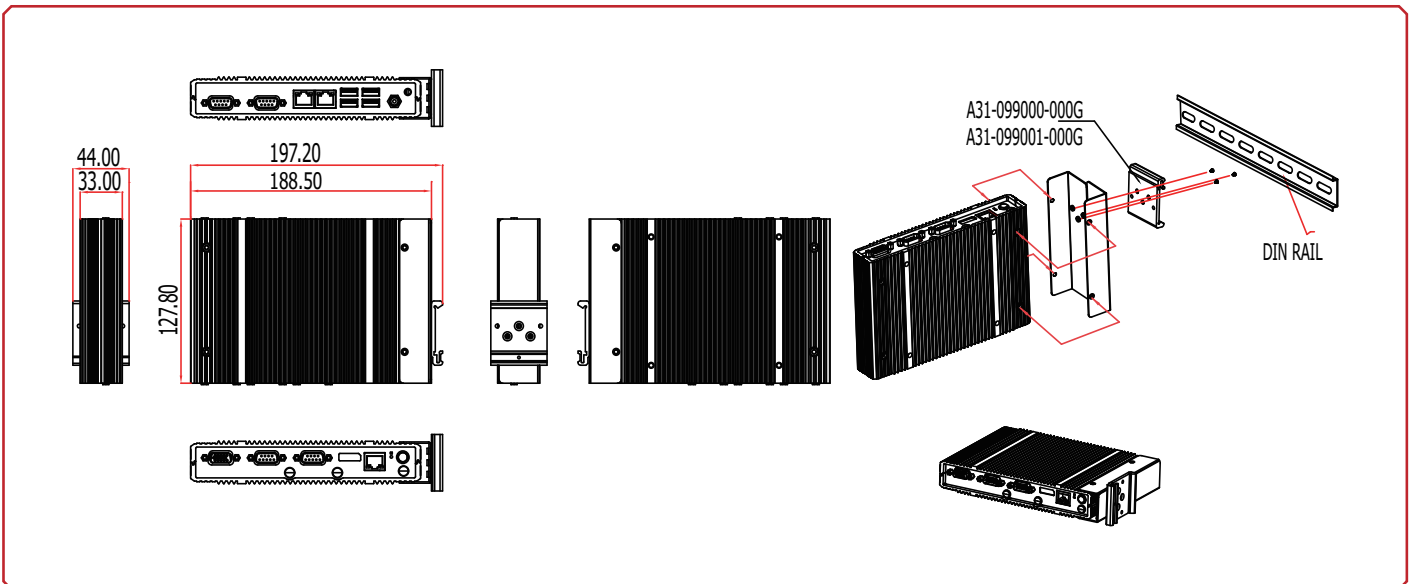
► Wall Mounting



► VESA Mounting



► DIN Rail Mounting



► Ordering Information

| Model Name | Part Number | Description |
|------------|-----------------|---|
| EC700-AL | 750-EC7003-000G | Fanless, E3950, DDR3L 4GB down, eMMC 64GB, 4LAN, 2USB3.0, DP/HDMI, VGA, -40 to +70C, F/G SYSTEM, ROHS |
| EC700-AL | 750-EC7003-100G | Fanless, E3940, DDR3L 4GB down, eMMC 32GB, 4LAN, 2USB3.0, DP/HDMI, DP, F/G SYSTEM, ROHS |
| EC700-AL | 750-EC7003-200G | Fanless, E3930, DDR3L 2GB down, eMMC 16GB, 2LAN, 4USB3.0, DP/HDMI, VGA, -40 to +70C, F/G SYSTEM, ROHS |
| EC700-AL | 750-EC7003-300G | Fanless, E3930, DDR3L 2GB down, eMMC 8GB, 2LAN, 4USB3.0, DP/HDMI, VGA, F/G SYSTEM, ROHS |
| EC700-AL | 750-EC7003-400G | Fanless, N4200, DDR3L 4GB down, eMMC 32GB, 2LAN, 4USB3.0, DP/HDMI, VGA, F/G SYSTEM, ROHS |
| EC700-AL | 750-EC7003-500G | Fanless, N3350, DDR3L 2GB down, eMMC 8GB, 2LAN, 4USB3.0, DP/HDMI, VGA, F/G SYSTEM, ROHS |
| EC700-AL | 750-EC7003-600G | Fanless, N4200, DDR3L 4GB down, eMMC 32GB, 4LAN, 2USB3.0, DP/HDMI, VGA, F/G SYSTEM, ROHS |

► Optional Items

| Optional Items | Part Number | Description |
|-----------------------|-----------------|---|
| Adapter | 671-106013-000G | 60W 12V inlet C14, locable DC Jack 5.5/2.5mm, cable length 1000mm, wide temp. |
| | 671-106012-000G | 60W 12V inlet C14, locable DC Jack 5.5/2.5mm, cable length 1500mm |
| Power Cord | 332-700010-201G | Power Cord US 3pin 1830mm Length |
| | A81-004003-000G | Power Cord EU 2pin 1830mm Length |
| | A81-000001-000G | Power Cord China 3pin 1830mm Length |
| | A81-004056-000G | Power Cord Japan 3pin 2000mm Length |
| OS | 921-151350-000G | Win10 IoT Ent 2019 LTSC MultiLang Entry EPKEA MUV-00005 |
| | 921-151360-000G | Win10 IoT Ent 2019 LTSC MultiLang Entry PKEA MUV-00004 |
| Memory SO-DIMM | 138-320485-114G | 2GB DDR3L 1600Mhz SO-DIMM 1Rx8 256Mx8 CL11 1.35V |
| | 138-340005-115G | 4GB DDR3L 1600Mhz SO-DIMM 1Rx8 512Mx8 CL11 1.35V |
| | 138-380003-101G | 8GB DDR3L 1600Mhz SO-DIMM 2Rx8 512Mx8 CL11 1.35V |
| | 138-320485-113G | 2GB DDR3L 1600Mhz SO-DIMM 1Rx8 256Mx8 CL11 1.35V, wide temp. |
| | 138-340005-126G | 4GB DDR3L 1600Mhz SO-DIMM 1Rx8 512Mx8 CL11 1.35V, wide temp. |
| | 138-380003-102G | 8GB DDR3L 1600Mhz SO-DIMM 2Rx8 512Mx8 CL11 1.35V, wide temp. |
| SSD MSATA | 638-703203-110G | 32GB, mSATA SSD, SATA3, MLC |
| | 638-706403-130G | 64GB, mSATA SSD, SATA3, MLC |
| | 638-712800-160G | 128GB, mSATA SSD, SATA3, MLC |
| | 638-725600-100G | 256GB, mSATA SSD, SATA3, MLC |
| | TBD | 64GB, mSATA SSD, SATA3, 3D TLC, PE: 3K |
| | TBD | 128GB, mSATA SSD, SATA3, 3D TLC, PE: 3K |
| | TBD | 256GB, mSATA SSD, SATA3, 3D TLC, PE: 3K |
| | TBD | 512GB, mSATA SSD, SATA3, 3D TLC, PE: 3K |
| | TBD | 1TB, mSATA SSD, SATA3, 3D TLC, PE: 3K |
| | 638-712806-100G | 128GB, mSATA SSD, SATA3, MLC, Wide Temp |



| | | |
|----------------------|-----------------|---|
| | TBD | 256GB, mSATA SSD, SATA3, MLC, Wide Temp |
| | TBD | 128GB, mSATA SSD, SATA3, 3D TLC, PE: 3K, Wide Temp. |
| | TBD | 256GB, mSATA SSD, SATA3, 3D TLC, PE: 3K, Wide Temp. |
| SSD 2.5" | 635-600322-1A0G | 32GB, 2.5" SSD, SATA3, MLC |
| | 635-600644-100G | 64GB, 2.5" SSD, SATA3, MLC |
| | 635-601282-1E0G | 128GB, 2.5" SSD, SATA3, MLC |
| | 635-602562-121G | 256GB, 2.5" SSD, SATA3, MLC |
| | 635-605122-130G | 512GB, 2.5" SSD, SATA3, MLC |
| | 635-601286-110G | 128GB, 2.5" SSD, SATA3, 3D TLC, PE: 3K |
| | 635-602566-150G | 256GB, 2.5" SSD, SATA3, 3D TLC, PE: 3K |
| | 635-605126-140G | 512GB, 2.5" SSD, SATA3, 3D TLC, PE: 3K |
| | 635-610006-110G | 1TB, 2.5" SSD, SATA3, 3D TLC, PE: 3K |
| Din Rail Kit | 761-EC7003-000G | EC700-AL Din Rail Kit |
| WallMount Kit | 761-EC7003-001G | EC700-AL Wallmount Kit |
| VESA Kit | 761-EC7003-002G | EC700-AL VESA Kit |

785-XXX is a group number instead of a unique part number. Please contact your regional sales representative if you need more information.

► Packing List

| |
|--|
| • 1 EC700-AL system unit |
| • Mounting screws for Mini PCIe module |
| • Mounting screws for M.2 module (8mm & 4mm), washer between 2 M.2 modules |
| • 1 Quick Installation Guide |