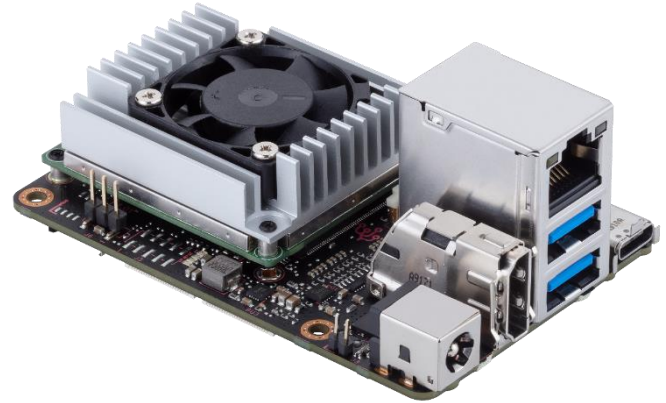


TINKER EDGE T

Card size SBC, NXP i.MX 8M Quad-core SoC, Google Edge TPU, 1GB RAM, 8GB eMMC, HDMI, MIPI-DSI, MIPI-CSI, 12-19V DC in

Features

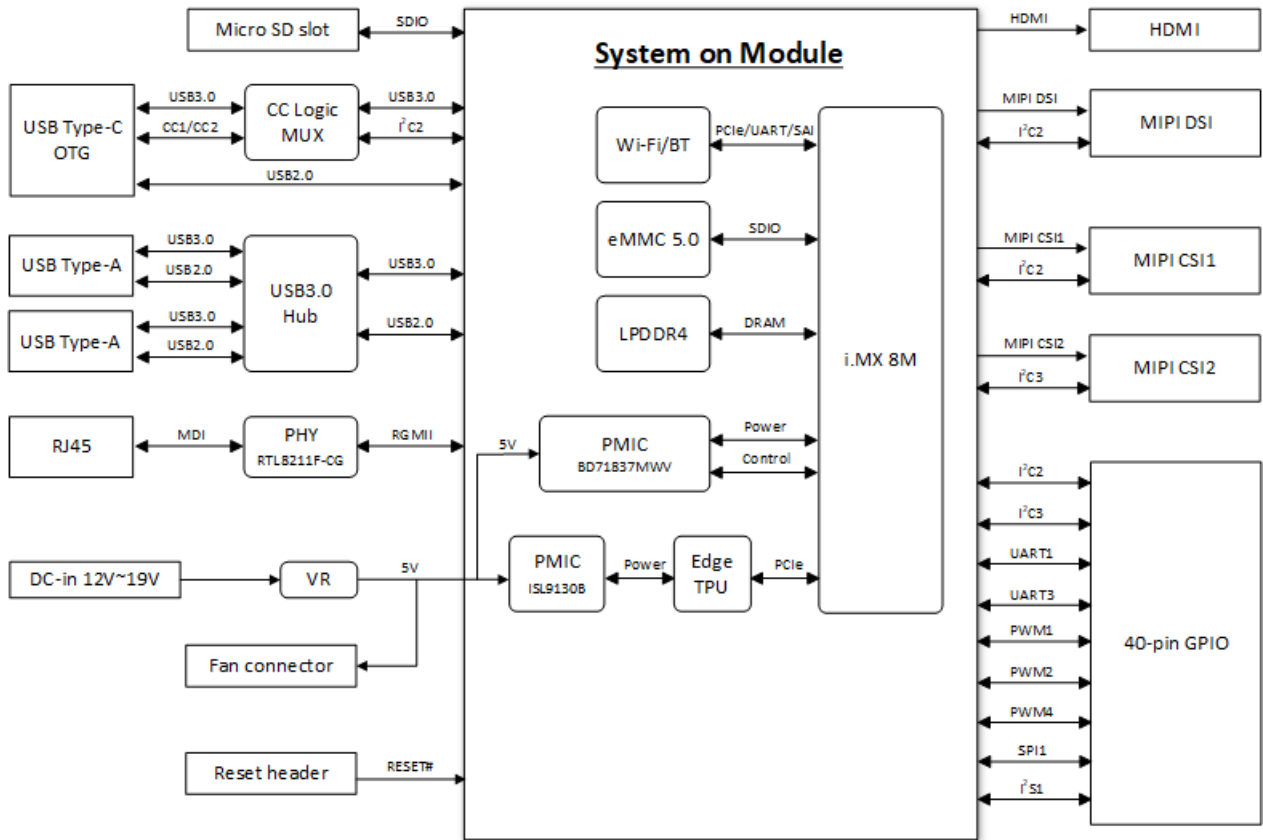
- ML capability with Google Edge TPU
- 2 x MIPI-CSI / MIPI-DSI / HDMI
- 40-pin GPIOs for multiple purposes
- 12V~19V DC-in offers stable power delivery



Specifications

SoC	NXP i.MX 8M
CPU	Quad-core Arm® Cortex®-A53 @ 1.5GHz, Coretex-M4
GPU	GC7000 Lite
NN Processor	Google Edge TPU ML accelerator coprocessor
Memory	Dual-CH LPDDR4 1GB
Storage	8GB eMMC 1 x Micro SD (TF) card slot (pull & push)
Display	1 x HDMI with CEC hardware ready 1 x 22-pin MIPI DSI
USB	2 x USB3.2 Gen1 Type-A ports 1 x USB3.2 Gen1 Type-C OTG port
Camera Interface	2 x 24-pin MIPI CSI-2
Internet	RTL8211F-CG Gbit LAN 802.11 b/g/n/ac & Bluetooth 4.1
Internal I/O	1 x 40-pin headers includes: - up to 28 x GPIO pins - up to 1 x SPI bus - up to 2 x I2C bus - up to 2 x UART - up to 3 x PWM - up to 1 x PCM/I2S - 2 x 5V power pins - 2 x 3.3V power pins - 8 x ground pins 1 x Boot mode switch 1 x 2-pin Reset header 1 x 2-pin DC Fan header
Power requirement	12-19V DC input
Operation Temperature	0~50°C
Non-Operation Temperature	-40~85°C
Relative Humidity	0%~85%
Operating System Support	Mendel
Form Factor	3.37" x 2.125"

Block Diagram



Ordering Information

Model Name	Description
Tinker Edge T	Card size SBC, NXP i.MX 8M Quad-core SoC, Google Edge TPU, 1GB RAM, 8GB eMMC, HDMI, MIPI-DSI, MIPI-CSI, 12-19V DC in

Packing List

Item#	Description
1.	Back Plate
2.	QuickStart Guide