

J3455I-CM-A

Mini-ITX, Intel® Celeron® Quad-Core J3455 SoC, 2*U-DIMM, 1*PCIe x4, HDMI, VGA, LVDS, 1*M.2 E Key, 6*USB3.2 Gen1, 4*USB2.0, 2*SATA, 2*COM, TPM, SEMI-IPC

Features

- Fan-less mini-ITX SEMI-Industrial MB with Intel Celeron® J3455 SoC processors
- Supports 3 displays configuration by multiple interface: HDMI/ VGA /LVDS
- 4-year longevity supply with EOL and Last Buy Notice
- Advanced I/O and connectivity features



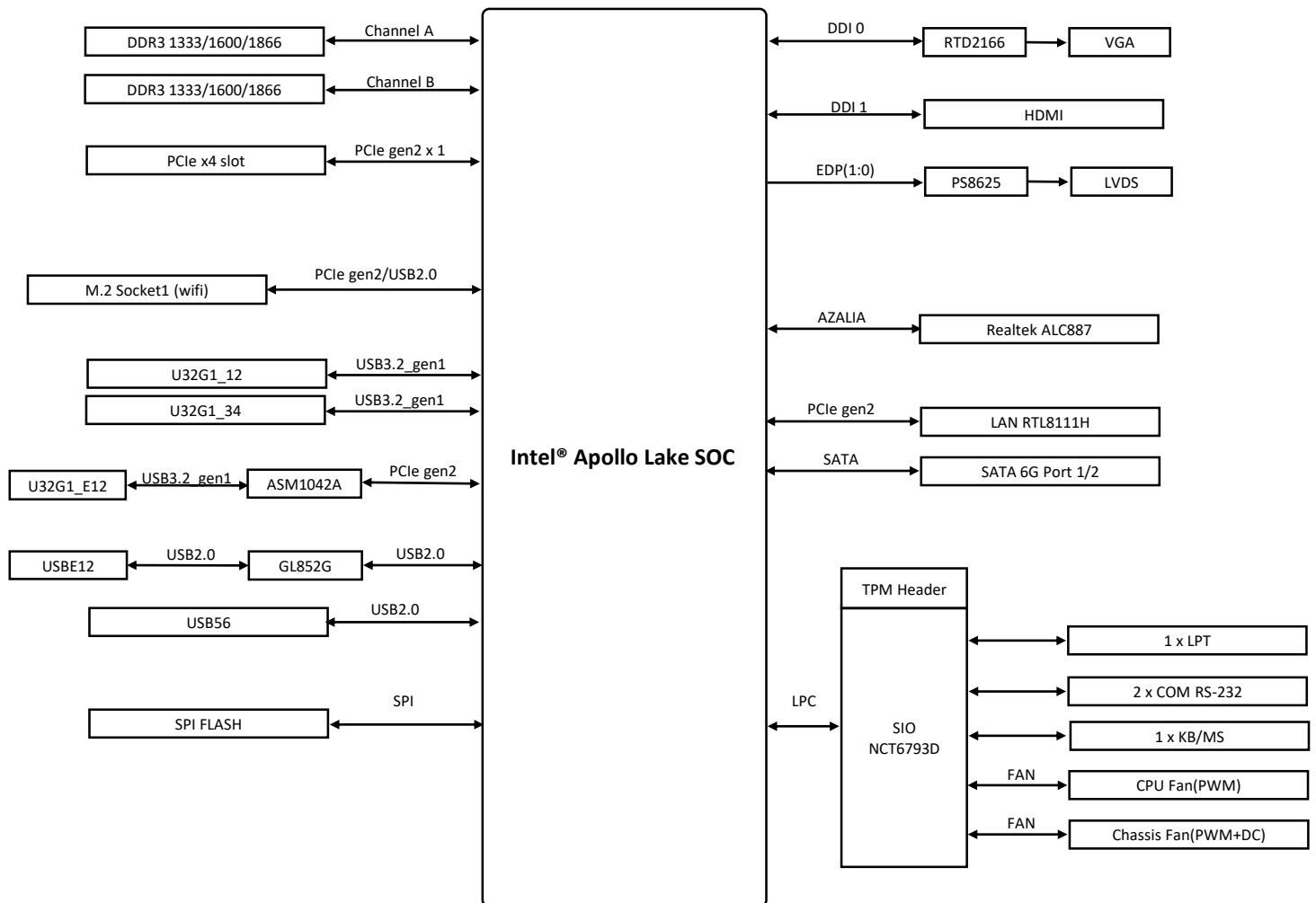
Specifications

Processor System	CPU	Build in Intel® Celeron® Quad-Core J3455 SoC onboard Processors
Memory	Technology	DDR3L 1866/1600/1333 MHz Non-ECC, Un-buffered Memory
	Max.	8GB
	Socket	2 x U-DIMM
Display	VGA	1, Supports up to 1920 X 1200 @ 60 Hz
	HDMI	1, Supports up to 3840 x 2160 @ 30 Hz
	LVDS	1, Supports up to 1920 X 1200 @ 60Hz
	Multi Display	HDMI+VGA+LVDS
Expansion Slot	PCIe	1 x PCIe 2.0 x4 (x1 mode)
	M.2	1 x M.2 Socket 1 with E key, type 2230 for WIFI/BT device
Ethernet	Speed	10/100/1000Mbps
	Controller	1 x Realtek® RTL8111H, supports PXE/WOL
	Connector	1 x RJ-45
Audio	Codec	Realtek® ALC887-VD2 8-Channel High Definition Audio
	Connector	Line-Out, Line-In, MIC
Storage	SATA port	2 x SATA Gen 3.0, up to 6Gb/s
Rear I/O	VGA	1
	HDMI	1
	USB3.2 Gen1	4
	Ethernet	1
	Serial Port	1 (RS232)
	Audio jack	3
	PS/2	1 x Keyboard Port, 1 x Mouse Port
Internal Connector	Serial Port	1 (RS232)
	USB3.2 Gen1	1 X Header Support Additional 2 X USB3.2 Gen1 Connectors
	USB2.0	2 X Header Support Additional 4 X USB2.0 Connectors
	CPU Fan Connector	1 (PWM Mode)
	Chassis Fan Header	1 (PWM+DC Mode)
	Chassis Intrusion Header	1
	Parallel Port Connector	1
	Front Panel Audio Header (AAFP)	1
	System Panel Header	1(10-1 Pin)
	Clear CMOS Jumper	1
	Buzzer	1
	LVDS Connector	1
	Display Panel Backlight Power Selector	1
	Flat Panel Display Brightness Connector	1
	Display Panel VCC Power Selector	1
	LCD panel monitor switch header	1
	Power Connector	1 X 4-pin ATX Power Connector, 1 X 24-pin EATX Power Connector

Specifications

Watchdog Timer	H/W	YES
Security	TPM	1 x LPC TPM header
Power	Power Type	EATX, ATX mode
Operating System	Microsoft Windows	Windows® 10 (64bit)
	Linux	Ubuntu, RedHat Enterprise, Fedora Workstation, OpenSUSE
Environment	Operating Temperature	0~50°C
	Non-Operating Temperature	-40~70°C
	Relative Humidity	0%~85%
Dimension	Form Factor	Mini-ITX, 170 x 170 mm
Certification	Safety	CE, FCC

Block Diagram



Ordering Information

Model Name	Part Number	Description
J3455I-CM-A	90ME01W0*	J3455,HDMI,VGA,LVDS,MB

Packing List

Part number	Description	Quantity
13020*	IO shield	1
14013*	SATA 6G CABLE	1
13020*	M.2 screw pack	1

* The part number might vary due to part number revision.