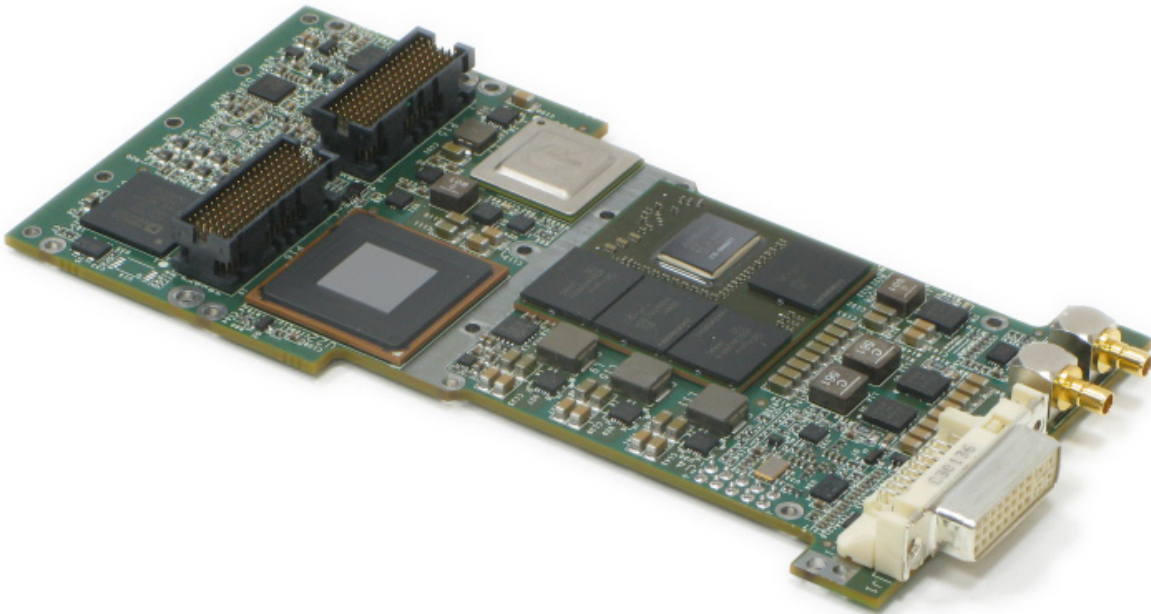


M596

Radeon™ E8860 (Adelaar) Video & Graphics XMC



Embedded Computing
without Compromise



- Single Width XMC
- PCIe x8 Gen 2.0 Host Interface
- AMD Radeon E8860 (Adelaar) GPU
 - ▶ 6 Independent Graphics Heads
 - ▶ 2GB GDDR5
- Analog and Digital Video Inputs
- Analog and Digital Video Outputs
- Full Video Switching Capabilities
- Video Capture and Overlay
- Video Resize and Customized Formats
- Full 2D/3D Processing Capabilities
- Universal VPWR 5V/12V
- Enhanced Graphics & Video Support
 - ▶ DirectX® 11.1
 - ▶ Shader 5.0
 - ▶ OpenGL 4.2
 - ▶ OpenCL 1.2
- Operating System Support
 - ▶ Windows™
 - ▶ Linux®
 - ▶ VxWorks®
 - ▶ INTEGRITY®



www.rugged.com

M596

Radeon™ E8860 (Adelaar) Video & Graphics XMC



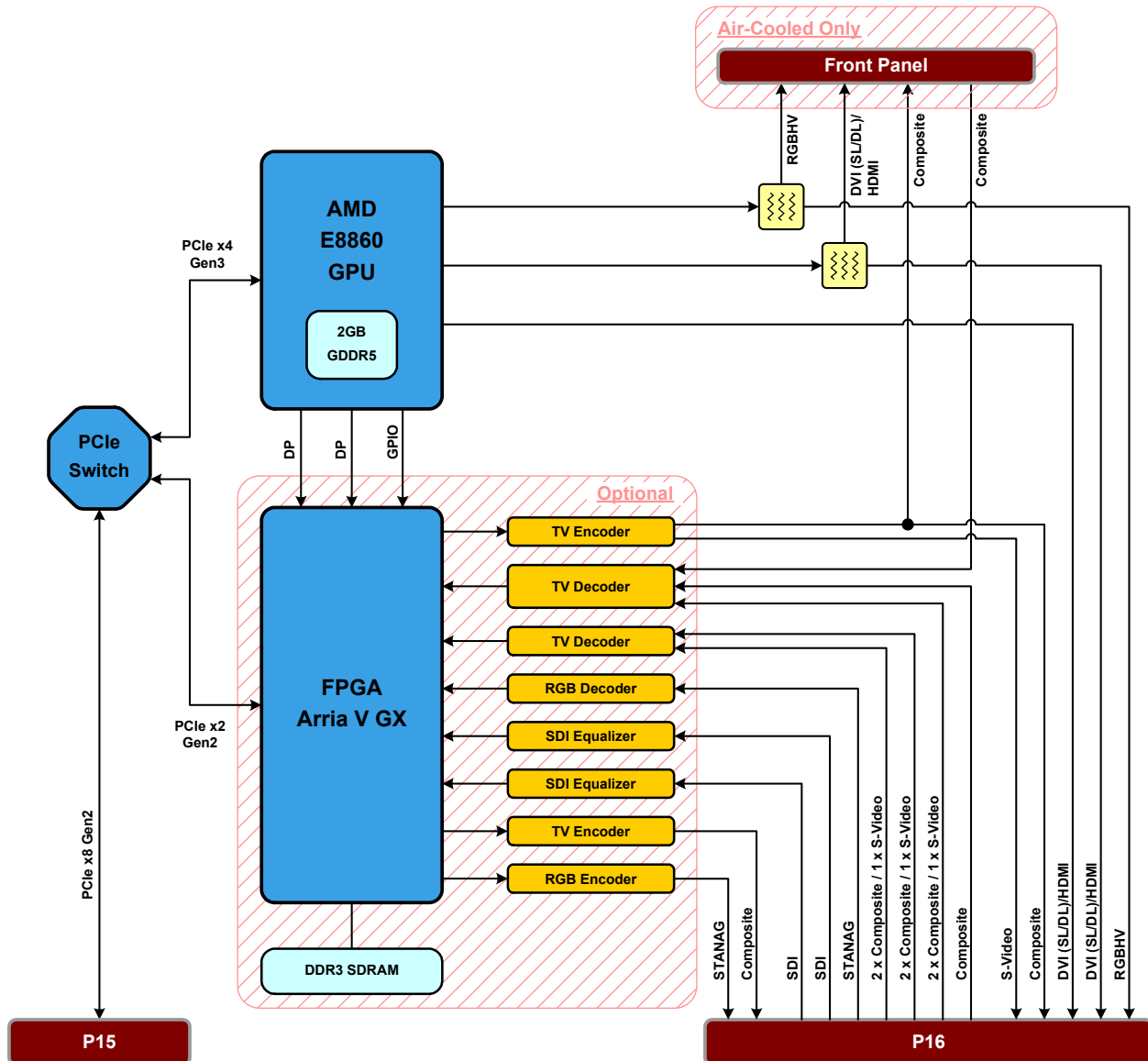
Embedded Computing
without Compromise

Aitech's M596 6-Head Multiple Output Graphics XMC provides a high-performance, highly versatile embedded video and graphics solution for harsh environment applications. Designed around the AMD E8860 Six Head Graphics Processing Unit with its 2 GB of GDDR5, the M596 can simultaneously drive several independent video streams in a wide variety of output formats.

The M596 supports the most advanced graphics and video standards including DirectX, OpenGL, and H.264, as well as multiple and versatile graphics and video input/output protocols. A number of the standard M596 output video channels are provided through E8860 native integrated video ports. Additional video protocols/formats and signal conditioning are provided by an optional sophisticated FPGA residing alongside the E8860 GPU, to complement the GPU's capabilities.

In addition, the M596 provides advanced video overlay functionality. The E8860 processor generates the graphics images, superimposes an input from one of the various video formats, and drives the result to a monitor. Additional overlay processes can be implemented simultaneously via additional independent video streams, using a different video input. This process can be routed to the FPGA for output on an interface not supported natively by the GPU.

To ensure high-speed transfer of graphics and video, the M596 interconnects with the host system via an 8-lane PCIe link.



M596

Radeon™ E8860 (Adelaar) Video & Graphics XMC



Embedded Computing
without Compromise

Board Architecture

GPU	AMD Radeon E8860 (Adelaar) <ul style="list-style-type: none">• 6 Independent Graphics Heads• Embedded GPU Operating @ up to 625 MHz• 2 GB GDDR5 @ up to 1125 MHz• 640 shader processors• UVD 4th generation support the decoding of H.264, VC-1, MPEG4, and MPEG2	<ul style="list-style-type: none">• DirectX® 11, Shader 5.0, OpenGL 4.2, OpenCL 1.2• 768/480 GFLOPs single/double precision peak (600e/4.5 Gbps)• ~3x 3D performance of AMD Radeon™ E4690 GPU• Overlay Support
PCIe Fabric	<ul style="list-style-type: none">• The PCIe switch manages connections between the GPU, FPGA, and host PCIe bus• Internal PCIe fabric enables high-throughput communication between GPU and FPGA	
Board Resources	<ul style="list-style-type: none">• High Performance FPGA for Video Capture and Generation• DDR3 SDRAM Supporting Video Processing	<ul style="list-style-type: none">• Configurable Thermal Shutdown• On-board Temperature Sensor

Video Inputs (backplane)

See *Configuration Options* for available combinations

Digital Inputs	<ul style="list-style-type: none">• 2x SD-SDI/HD-SDI	
Analog Inputs	<ul style="list-style-type: none">• 7x Composite (interlaced RS-170A (NTSC)/PAL) <p>or</p> <ul style="list-style-type: none">• 3x S-Video (NTSC/PAL)	<ul style="list-style-type: none">• 1x STANAG 3350 (B, C)

Video Outputs (backplane)

See *Configuration Options* for available combinations

Digital Outputs	<ul style="list-style-type: none">• 2x DVI (single or dual-link) <p>or</p> <ul style="list-style-type: none">• 1x HDMI + 1x DVI (single or dual-link)	
Analog Outputs	<ul style="list-style-type: none">• 2x Composite (interlaced RS-170A (NTSC)/PAL)• 1x STANAG 3350 (B, C)	<ul style="list-style-type: none">• 1x S-Video (NTSC/PAL)• 1x RGBHV

Front Panel I/O

See *Configuration Options* for available combinations

Digital	<ul style="list-style-type: none">• 1x DVI (Single or Dual-Link)/HDMI (via passive DVI to HDMI adaptor) Output	
Analog	<ul style="list-style-type: none">• 1x Composite (interlaced RS-170A (NTSC)/PAL) Output• 1x Composite (interlaced RS-170A (NTSC)/PAL) Input	<ul style="list-style-type: none">• 1x RGBHV Output
Connectors	<ul style="list-style-type: none">• 1x DVI-I• 2x SMB	

M596

Radeon™ E8860 (Adelaar) Video & Graphics XMC



Embedded Computing
without Compromise

Supported Resolutions

Other resolutions and aspect ratios are available as special order options

Video Standard	Video Signal Format	Resolution Specification					Input Interface			Output Interface				
		Total Lines	Active Lines	Aspect Ratio	Frame Rate	Interlaced/ Progressive	STANAG 3350	Composite/ S-Video	SDI	DVI	HDMI	RGBHV	STANAG 3350	Composite/ S-Video
TV	RS-170A (NTSC)	525	483	4:3	60	I		•						•
	PAL	625	576	4:3	50	I		•						•
VESA	VGA (640 x 480)	525	480	4:3	60	P				•		•		
	SVGA (800 x 600)	628	600	4:3	60	P				•		•		
	XGA (1024 x 768)	806	768	4:3	60	P				•		•		
	SXGA (1280 x 1024)	1066	1024	5:4	60	P				•		•		
	UXGA (1600 x 1200)	1250	1200	4:3	60	P				•		•		
	WUXGA (1920 x 1200)	1235	1200	16:10	60	P						•		
SMPTE/ HDTV	480/60i	525	483	4:3	60	I			•					
	576/50i	625	576	4:3	50	I			•					
	720/60p	750	720	16:9	60	P			•		•			
	1080/60i	1125	1080	16:9	60	I			•		•			
	1080/30p	1125	1080	16:9	30	P			•		•			
	1080/60p	1125	1080	16:9	60	P					•			
STANAG 3350	Class B (PAL)	625	575	4:3	50	I	•						•	
	Class C (NTSC)	525	485	4:3	60	I	•						•	

Software

The M596 is available with several GPU versions for use with different operating systems (see *Ordering Information*). Two versions support VxWorks and INTEGRITY, and the other supports Windows and various distributions of Linux.

The general Windows/Linux version of the M596 is supported by AMD's freely available standard driver package.

The standard VxWorks/INTEGRITY version of the M596 includes the CoreAVI driver, which supports x86 and PowerPC architectures. A second VxWorks/INTEGRITY version is available without the CoreAVI driver. This version is only for customers who have a licensing agreement with CoreAVI as it cannot be used without the CoreAVI driver.

For systems requiring DO-178B certification, the CoreAVI Software DO-178B OpenGL package is also available.

M596

Radeon™ E8860 (Adelaar) Video & Graphics XMC



Embedded Computing
without Compromise

Supported Operating Systems and Video Driver Capabilities

Driver Provider	OS	Enhanced Graphics & Video						Input Interface			Output Interface				
		DirectX 11.1	Shader 5.0	OpenGL 4.2	OpenGL ES 2.0	OpenGL SC	OpenCL 1.2	STANAG 3350	Composite/ S-Video	SDI	DVI	HDMI	RGBHV	STANAG	Composite/ S-Video
AMD	Linux®			•	•		•				•	•	•	•*	•*
	Windows™	•	•	•			•	•*	•*	•*	•	•	•	•*	•*
CoreAVI	VxWorks®				•	•	•	•	•	•	•	•	•	•	•
	INTEGRITY®				•	•	•	•	•	•	•	•	•	•	•

* STANAG, Composite/S-Video, and SDI interfaces are partially supported under Windows. Refer to the M596 User's Guide for complete description of available functionality

Power

M596 Power Consumption

	Supply ^{(2) (3)}			Total Power
	+3.3V	VPWR (Universal +5V/+12V)		
Typ ⁽⁴⁾	0.9A	+5V @ 6.5 A	or +12V @ 2.7 A	35.4 W
Max ⁽⁵⁾	1.4A	+5V @ 9.1 A ⁽¹⁾	or +12V @ 3.8 A	50.3 W

- Notes:
- (1) Full performance not assured under these conditions; +12V VPWR is recommended.
 - (2) +12V, +3.3V_AUX of the XMC standard not required
 - (3) -12V (with consumption of ~20 mA) is required only if the STANAG output is used
 - (4) GPU clock @ 400 MHz, GPU memory clock @ 550 MHz, running 3DMark 11 Benchmark @ 1280 x 720
 - (5) GPU clock @ 625 MHz, GPU memory clock @ 1125 MHz, running 3DMark 11 Benchmark @ 1280 x 720

GPU Performance vs. Power Consumption

Clocks [MHz]		Power [W]		Performance
GPU	Memory	Idle ⁽¹⁾	Max ⁽²⁾	Score
300	150	7.2	14.4	969
400	550	12.6	24.2	1925
500	950	14.9	29.6	2471
625	1125	15.7	33.8	3023
Power Play Configuration ⁽³⁾		7.2	33.5	2968

- Notes:
- (1) Idle Power measured in Windows 7 idle mode
 - (2) Max Power measured during 3DMark11 Benchmark tests
 - (3) Power Play can be used with AMD driver only
 - (4) 3DMark11 Benchmark @ 1280 x 720

Test Platform: Gigabyte Technology Co. Ltd. H77-DS3H Motherboard with Intel Core i7 3770K Quad Core @ 3.9 GHz and 8 GB DDR3 @ 667 MHz, Windows 7 32-bit OS with AMD VENUS PRO MCM(6822) Ver. 13.251.0.0 Driver

M596

Radeon™ E8860 (Adelaar) Video & Graphics XMC



Embedded Computing
without Compromise

Mechanical

Form Factor	Single-Width XMC per ANSI/VITA 42.0-2008
Dimensions	Per ANSI/VITA 42.0-2008 for Single-Width XMC: conduction and air-cooled
Weight	Conduction-cooled: <200 g [0.45 lbs] Air-cooled: <270 g [0.60 lbs]

Environmental

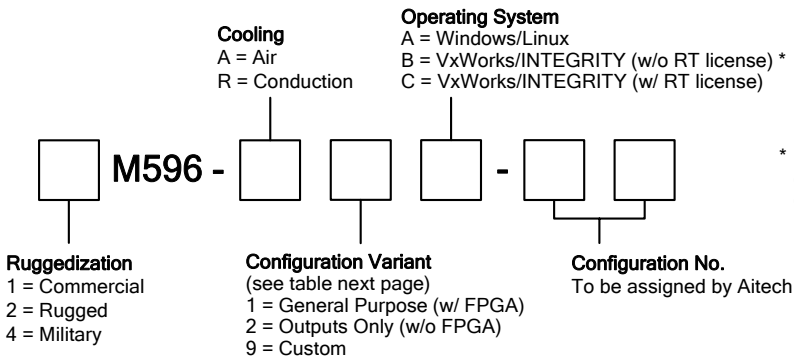
Specs per VITA 47	Air-Cooled			Conduction-Cooled	
	Commercial	Rugged	Military	Rugged	Military
Operating Temp.	AC1 (0 to +55 °C) ⁽²⁾	AC3 (-40 to +70 °C) ⁽²⁾	AC4 (-40 to +85 °C) ^(1,2)	CC3 (-40 to +70 °C) ⁽³⁾	CC4 (-40 to +85 °C) ^(1,3)
Non-Operating Temp.	C1 (-40 to +85 °C)	C3 (-50 to +100 °C)	C4 (-55 to +125 °C)	C3 (-50 to +100 °C)	C4 (-55 to +125 °C)
Vibration	V1	V2	V2	V3	V3
Operating Shock	OS1	OS1	OS1	OS2	OS2
Altitude	15,000 ft.	35,000 ft.	70,000 ft.	35,000 ft.	70,000 ft.
Relative Humidity (4)	0 - 90%			0 - 100%	
Conformal Coating	N/A			Acrylic (Silicone and Urethane Optional)	

Notes: (1) **-55 °C available, contact an Aitech representative for more information** (3) Operating card edge temperature
(2) Operating ambient air temperature (with sufficient airflow) (4) Non-condensing

Accessories

TM596	6U Transition Module providing convenient access to M596 I/O interfaces via standard connectors. The TM596 is a plug-in extension to Rear Transition Modules (RTM) for Aitech 6U SBCs and is used to access M596 I/O when the M596 is mounted on an Aitech SBC. Supports both air and conduction-cooled M596 mounted in commercial air-cooled chassis. Refer to the TM596 datasheet for further information.
TM530	Rear Transition Module (RTM) providing convenient access to M596 I/O interfaces via standard connectors when the M596 is mounted on a CM870 XMC Carrier. Supports both air and conduction-cooled M596 mounted in commercial air-cooled chassis. Refer to the TM530 datasheet for further information.

Ordering Information



* CoreAVI driver and RT license are required for each board. It is the responsibility of the customer to procure them from CoreAVI.

Example: 4M596-R1C-00

M596

Radeon™ E8860 (Adelaar) Video & Graphics XMC



Embedded Computing
without Compromise

Configuration Variants ⁽⁸⁾

This table lists the number of I/O channels for each of the standard M596 variants.

Interface		Variant 1	Variant 2
Video Outputs	HDMI/DVI ⁽¹⁾	2 ⁽²⁾	2 ⁽²⁾
	RGBHV	1 ⁽³⁾	1 ⁽³⁾
	S-Video	1 ⁽⁴⁾	0
	Composite	2 ^{(4) (5)}	0
	STANAG 3350	1	0
Video Inputs	SDI	2	0
	Composite	7 ^{(6) (7)}	0
	S-Video	3 ⁽⁷⁾	0
	STANAG 3350	1	0

- Notes: (1) Software selectable as 2x DVI or 1x DVI + 1x HDMI. DVI auto configures as single or dual-link depending on the monitor (or other device) connected.
(2) In air-cooled boards one of these channels is available only at the front panel (not at P16)
(3) In air-cooled boards the RGBHV output is available only at the front panel (not at P16)
(4) Composite Output 0 and S-Video Output 0 are clones that are generated by the same video encoder
(5) A clone of P16 Composite Output 0 is routed to the front panel of air-cooled boards, the channel cannot be used simultaneously at both locations
(6) One additional composite input is available at the front panel of air-cooled boards
(7) Because ports are routed to shared pins, each S-Video input is available at the expense of two Composite inputs. Due to shared decoders, a maximum of two Composite/S-Video inputs can be used simultaneously.
(8) Pinout compatibility with Aitech M595 XMC configuration 3 is available by special order.

Contact Aitech

Contact your Aitech sales representative for additional product information, and for inquiries regarding customized configurations of the M596 and additional software support.

Aitech Defense Systems, Inc.
Chatsworth, CA, USA
Toll Free: (888) Aitech-8 [248-3248]
Direct: +1 (818) 700-2000
Fax: +1 (818) 407-1502
Email: sales@rugged.com

Aitech Systems, Ltd.
Herzlia, Israel
Tel: +972 (9) 960-0600
Fax: +972 (9) 954-4315
Email: sales@rugged.com

www.rugged.com